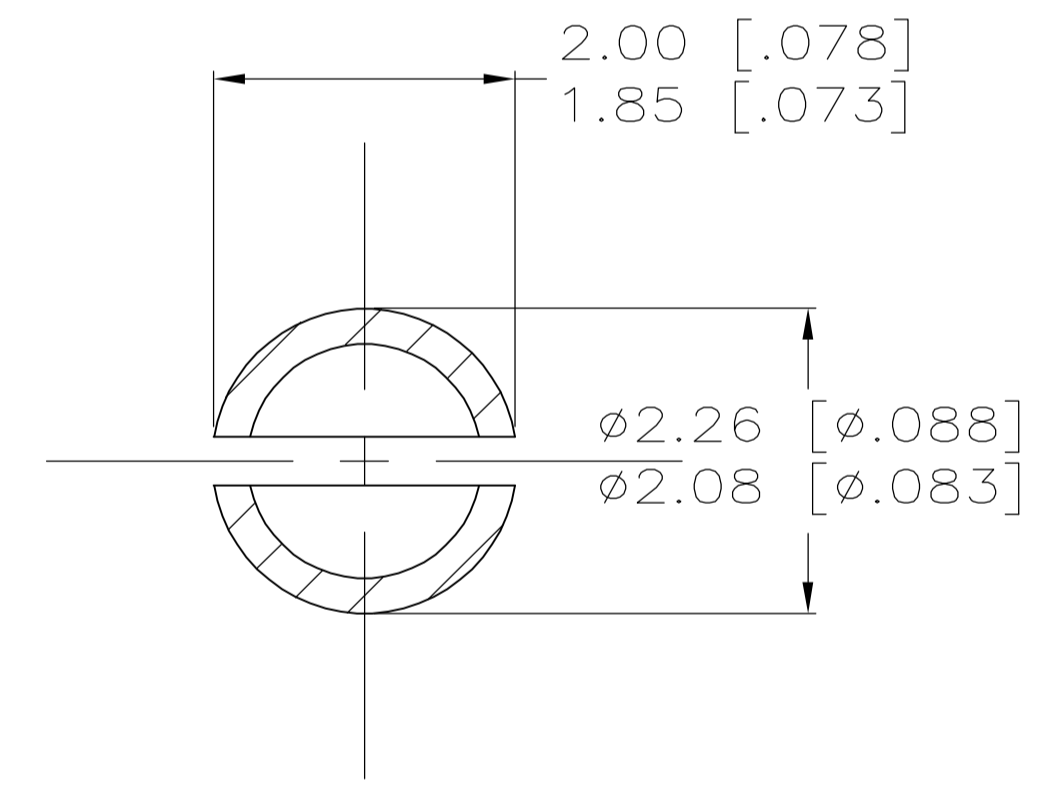
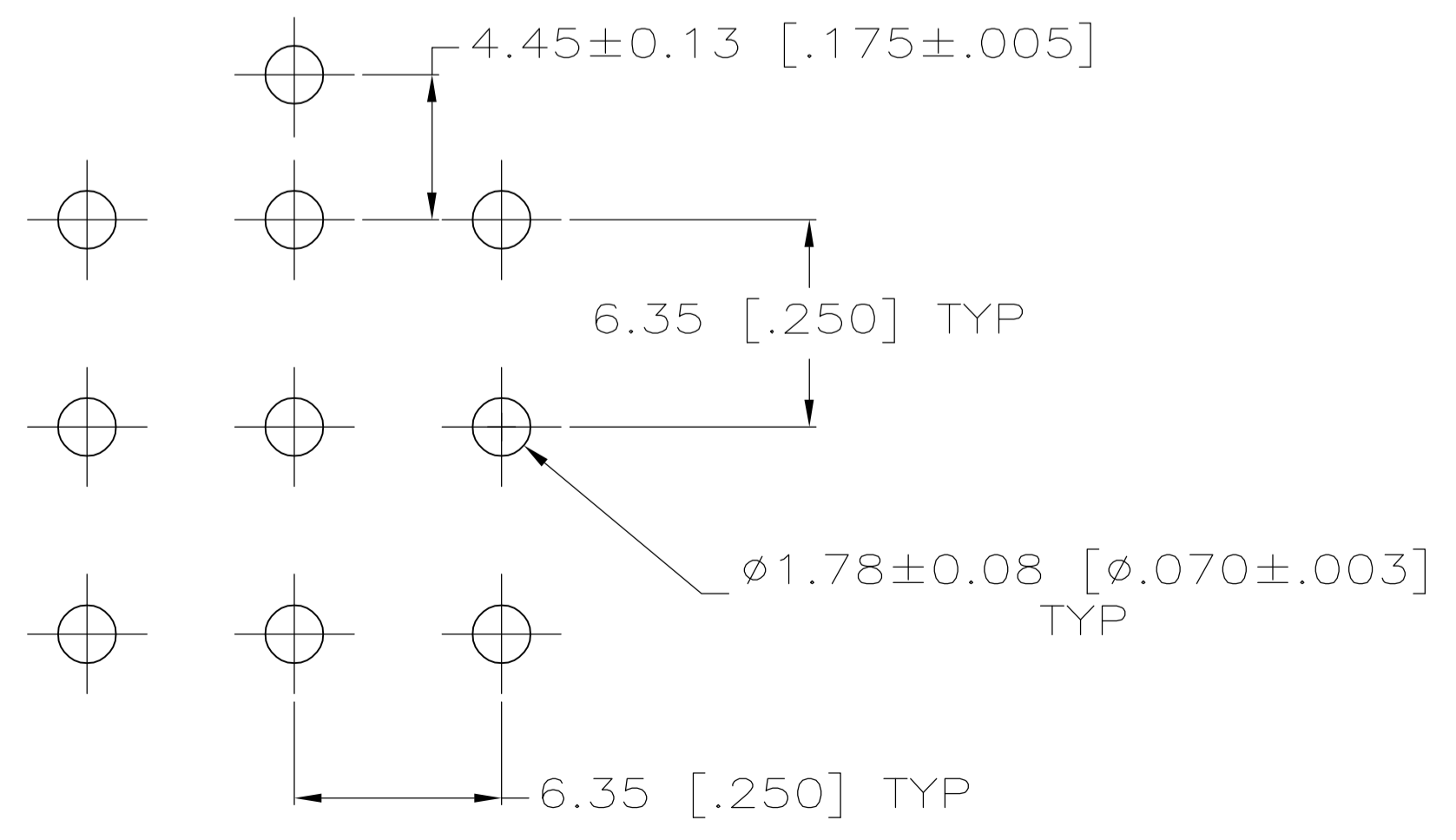


- PARTS MUST COMPLY WITH AMP SOLDERABILITY SPEC 109-11-3.
- CONTACT IS STAMPED FROM PRE-PLATED STOCK WHICH IS PLATED OVERALL WITH 0.00127 [.000050] NICKEL, THEN STRIPED WITH 0.00076 [.000030] GOLD IN CONTACT AREA INDICATED AND TIN-LEAD ON SOLDER TAIL END.
- CIRCUIT IDENTIFICATION CHARACTERS ARE ADJACENT TO THE INDICATED CAVITIES, BUT LOCATION AND ORIENTATION MAY DIFFER FROM PRINT.
- CONTACT IS PLATED OVERALL WITH 0.00127 [.000050] NICKEL, THEN 0.00076 [.000030] GOLD OVER CONTACT LENGTH INDICATED AND MATTE TIN ON SOLDER TAIL END.



SECTION A-A  
SCALE 12:1



RECOMMENDED LAYOUT FOR 1.58 [.062] THICK PC BOARD

PH BRZ GOLD $\triangle$ 4	NYLON, UL94V-2	641971-3
PH BRZ GOLD $\triangle$ 2	NYLON, UL94V-2	641971-2
PH BRZ TIN	NYLON, UL94V-2	641971-1
CONTACT	HOUSING	PART NO

METRIC

THIS DRAWING IS A CONTROLLED DOCUMENT.

OWN: K. WHITAKER	14OCT2005	 Tyco Electronics Corporation Harrisburg, PA 17105-3608
CHK: S. RIDGILL	14OCT2005	
APVD: S. RIDGILL	14OCT2005	
PRODUCT SPEC		
APPLICATION SPEC		NAME: HEADER ASSEMBLY, PIN, POLARIZED, UNIVERSAL MATE-N-LOK(TM), 9 CIRCUIT
MATERIAL: SEE CHART		RESTRICTED TO
WEIGHT	A1 00779 ©=641971	SCALE: 5:1 SHEET: 1 OF 1 REV: M